



Where would you benefit from illumination?

- **Pathway Lighting**

Line patio edges, walkways and paths to illuminate boundaries and add guidance in the dark. Domed pathway lights shine their light down onto the landscaping.



- **Entrance Lighting**

Assisting guests by directing them towards the entrance's

- **Garden Lighting**

Create an enchanting atmosphere in your garden by illuminating your most beautiful trees and bushes.

- **Canopies & Tree Trunks**

Up-lights broadcast a wash of light into the canopy of a tree, making the tree seem to glow.



- **Woodlines**

Have a wooded property line or boundary? Lighting up the wood-line helps distinguish where it is in the night.

- **Wall Wash**

Lighting up exterior walls of the home add security and peace of mind. It also creates a sophisticated look for the residence.

- **Stairs & Steps**

Illuminating near stairs and steps helps deter tripping when visibility is low.





What Goes Into an LED Outdoor Lighting System?

- **What does your home need in order for an LED Outdoor Lighting System to be installed?**

This system requires a standard 120V Covered Outdoor GFCI Outlet that we will plug into. Or an available non covered GFCI outlet inside the garage is usable.

- **What if you don't have a GFCI Outlet anywhere on the exterior of your home or inside garage?**

A certified electrician can install a new GFCI Outlet most anywhere, whether it be off an existing junction box, tapped new, or even converting an existing 120V outlet that isn't GFCI.



What Components are Involved?

- **Transformer**

A Transformer is a stainless steel box approximately 16"x6"x6" that is mounted on the wall next to the GFCI outlet, and plugged into it. The function of the Transformer is to convert the 120V "high voltage" into 12-24V "low voltage", and is used to power the outdoor fixtures.



- **Photocell & Timer**

The convenience of lighting on your schedule. Timers and photocells allow for preset hours of illumination or auto-on during low daylight hours.

A photocell detects when the sun goes down and up, and automatically turns the lights on and off. These accessories can be installed inside the Transformer.





- **Fixtures**

Fixtures are the lights. They are basically the housing for the Lamp that is illuminated inside.

Fixtures come in many different styles, materials, and outputs to choose from. We install offerings from three top quality manufacturers: Pro-Trade, Kichler, and Volt Brands.

Ask to see brochures or samples.

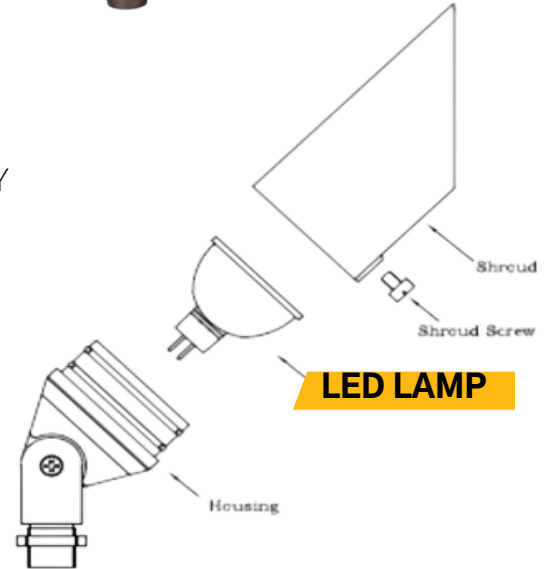


- **Lamps**

Lamps are the bulbs. There are two types of lamps available on the market: Incandescent or LED. We ONLY install LED lamps in all our fixtures at Mat Jones Landscape.

LED lighting is 80% more efficient than incandescent, and lasts substantially longer.

We select the proper lamps to meet the lighting requirements of your outdoor needs.



- **Cable/Wire**

12ga Low Voltage Lighting Cable is manufactured for the purpose of direct burial landscape and lighting applications. Conductor construction is soft drawn bare copper meeting the requirements of ASTM Specification B-3 and B-8.

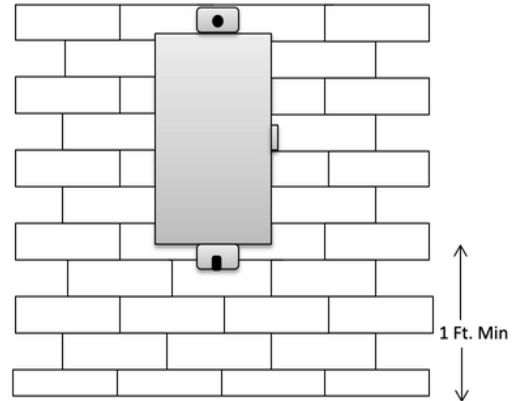




LED Outdoor Lighting System Installation

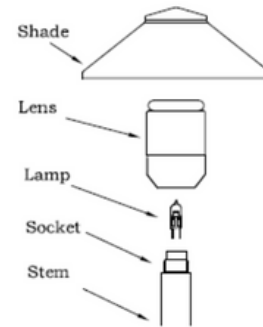
- **Mounting the Transformer**

The Transformer is mounted next to the existing GFCI outlet on the wall. Typically, we mount this to an **exterior** wall, that way we don't need to run wires through a wall, like if we attached the transformer to a wall **inside** the garage. It is perfectly acceptable to mount it inside a garage, but exterior mounting is preferred.



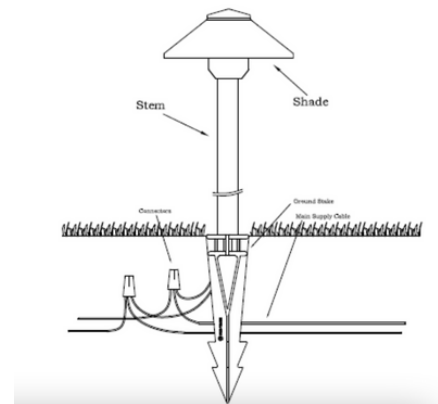
- **Assembly and Installation of Fixtures**

The Fixtures will need assembled, and their Lamps installed. After assembly, the Fixtures will be installed in their pre determined locations.



- **Attaching and Running Direct Bury Cables**

The Fixtures will then be attached to leads of cable and ran back to the transformer. Cables are buried approximately 6" under the lawn and where possible, tucked against the house, driveway, or walkway edge, so as to be out of the way in the case of future digging.



- **Connecting the Cables to the Transformer**

The cables that have been attached to the Fixtures, and ran back the Transformer are then attached to the proper output terminals on the unit. The amount of wattage needed is based off the number of fixtures and cable lengths, and this determines the size transformer needed. Although typically a 300W is used, to leave leftover wattage in the case the homeowner decides to add more fixtures down the road, they won't need to upgrade their Transformer as well.

- **Load Calculations**

Calculating the System Load and Voltage Drop for each Fixture is an important step, which ensures the proper amount of power is being supplied to each fixture. This includes checking the Voltage at each fixture. Checking the Output Amps. And checking the Input Amps.





LED Outdoor Lighting System Package



Base Pricing + Customization. Starting at \$2650

This package is best for homeowners that require some guidance on what areas they want illuminated but are not sure how many Fixtures they need. After a Free Consultation, we can help put together a lighting plan to meet your needs, and to assist in selecting the fixtures and lamps of your choice.

This package includes:

- Installation of 300W Transformer
- Installation of Timer or Photocell
- Installation of Fixture Cables to the Transformer with the use of System Load and Voltage Drop Calculations. (up to 10 Fixtures)
- Installation of Buried Cables (up to 250' Cable & 10 Fixtures)
- Assembly and Installation of stand alone Fixtures (up to 10 Fixtures)

This package does **NOT** include:

- The Fixtures of your choice from our three manufacturers offerings. (see brochures)
- The Lamps required per Fixture.
- Additional Cable past 250' if needed.
- Installation of more than 10 Fixtures without an additional cost per fixture.
- Expect to pay around \$100–200 per Fixture + Lamp together depending on selections.
- Lifting and reinstalling pavers, or tunneling under concrete for Cable runs will be an additional charge.

